

# Fault Passage Indicator

Communicable Type Catalog No. EL-FPI-40A

Non-Communicable Type Catalog No. EL-FPI-40B



## Application

The main function of fault passage indicating system is to identify faults occurring in the downstream section from the point of its installation in the medium voltage system. This is achieved by continuous monitoring of voltage presence and current flow in medium voltage line.

Any increase in current along with absence of voltage is signaled by the equipment. Fault condition is indicated by flashing lights in FPI; this information is sent using radio signals to the communication gateway installed nearby for onward transmission to SCADA system at the control centre through a suitable communication channel.

Using this system, the utility acquires information regarding the section of the line having fault. This identification helps eliminate the patrolling of entire line for finding the fault, ultimately reducing restoration time.



## Features

Our Fault Passage Indicators (FPIs) are designed to be clipped on the Overhead MV line. Usually, 3 Fault Passage Indicators are clipped on one circuit - one on each phase. Our FPIs carry out the following functions:

- Detection of current running in the phase it is clipped on
- Detection of transient / permanent phase - to - phase and phase - to - earth faults
- Communication of information to communication gateway using licence free short range radio frequency
- To provide a local light indication on occurrence of fault, which in turn is a useful information for fault finding and maintenance activity.

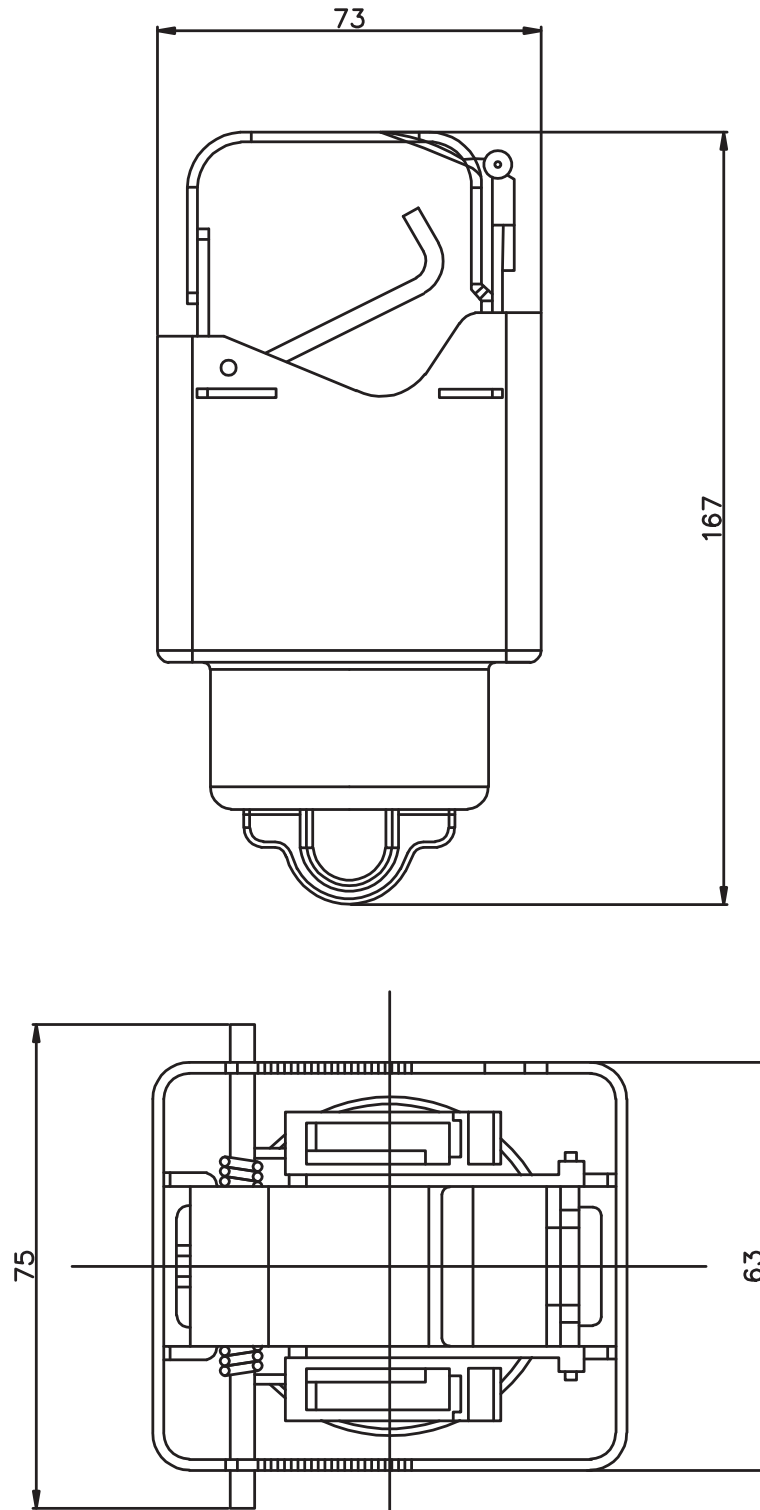
## Particulars

No.	Particulars	Unit	Value
1	Nominal Operating Voltage	kV	11 - 66
2	System Maximum Voltage	kV	12 - 72.5
3	Conductor Diameter	mm	4 - 35
4	Short-time Withstand Current	kAp/s	25 / 0.170
5	Communication Protocol		IEC 60870-1-101/104
6	Environmental Tests		IEEE 495
7	Salt Spray Test		IEC 60068-2-11 and IEC 60068-2-30
8	Insulation Resistance Tests		IEC 60870-2-1

## Accessories

- Solar Power Supply Kit
- Mounting and Dismounting tool
- Local Reset tool

## Drawing



**Elektrolites (Power) Pvt. Ltd.**

marketing@elektrolites.com • www.elektrolites.com

Unit - I : S-758 (A), Road No. 9F, VKI Area, JAIPUR - 302013 (Rajasthan) India

Unit - II : E-148 to 150, RIICO Ind. Area Extn. Phase-II, BAGRU-303007 (Jaipur)

T : +91-141-2330576

F : +91-141-2333572

M : +91-92144 44980

